

M/P01.2 KNX iFlex Series 1 Button Smart Panel EU(US)
 M/P02.2 KNX iFlex Series 2 Buttons Smart Panel EU(US)
 M/P03.2 KNX iFlex Series 3 Buttons Smart Panel EU(US)
 M/P04.2 KNX iFlex Series 4 Buttons Smart Panel EU(US)
 Hardware Version: A

KNX®
Datasheet
 Issued: June 1, 2021
 File Edition: V1.0.1



Figure 1. KNX iFlex Series 1 Button Smart Panel EU

Figure 2. KNX iFlex Series 2 Buttons Smart Panel EU



Figure 3. KNX iFlex Series 3 Buttons Smart Panel EU

Figure 4. KNX iFlex Series 4 Buttons Smart Panel EU



Figure 5. KNX iFlex Series 1 Button Smart Panel US

Figure 6. KNX iFlex Series 2 Buttons Smart Panel US



Figure 7. KNX iFlex Series 3 Buttons Smart Panel US

Figure 8. KNX iFlex Series 4 Buttons Smart Panel US

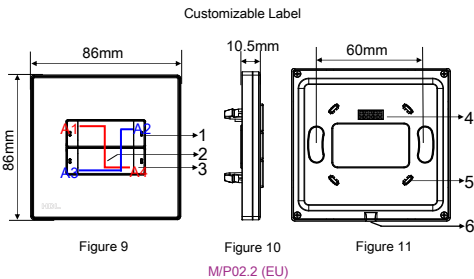


Figure 9 - 11. Dimensions

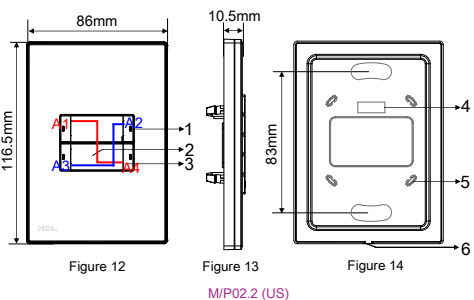


Figure 12 - 14. Dimensions

Overview

KNX iFlex Series 1(2/3/4) Button (s) Smart Panel EU (US) (See Figure 1-8) is a multi-function control panel with mechanical control buttons, and multiple button control types are available. Button labels, plate material and color are customizable.

Functions

- Button work modes: Left & right button combined mode or independent button mode.
- LED indicator is available for each button.
- Supports multiple control modes: Switch Control, Dimming, Shutter Control, Flexible Control, Scene Control, Sequence Control, Percentage Control, Threshold Control, Combination Control, String (14bytes) Controller, Button Lock, Button Trigger.
- Push the top left corner and the bottom right corner button (Button A1 and A4 for M/P02.2, Button A1 and A6 for M/P03.2, Button A1 and A8 for M/P04.2) simultaneously for 2 seconds, then the panel will enter programming mode.
- Users can customize button label.
- Selectable plate and frame.

Important Notes

- The panel should be installed in wall box.
- The panel must work in conjunction with the power interface (M/PCI.1 in conjunction with EU panel, M/PCI.3 in conjunction with US panel).
- The device is compliant with KNX standard and the parameters are set by the Engineering Tool Software (ETS).

Product Information

Dimensions - See Figure 9 - 14

1. **Button indicator:** It indicates the status of the controlled target.
2. **Button label:** Users can print and replace the button labels.
3. **Push Button:** On/ Off, dimming
4. **Communication interface:** Connects the panel to the power interface.
5. **Fastener:** Connects the panel to the power interface.
6. **Split gap:** Insert a slotted screwdriver to the split gap, then separate the panel and power module.

Programming: Push the top left corner and the bottom right corner button (Button A1 and A4 for M/P02.2, Button A1 and A6 for M/P03.2, Button A1 and A8 for M/P04.2) simultaneously for 2 seconds, then the panel will enter programming mode.

Button locking and unlocking: Push the top right corner and the bottom left corner button (Button A2 and A3 for M/P02.2, Button A2 and A5 for M/P03.2, Button A2 and A7 for M/P04.2) simultaneously for 2 seconds, then the buttons will be locked or unlocked.

Safety Precautions

- The installation and testing for the product must be carried out by HDL Automation Co., Ltd. or its appointed service agencies. The electric construction shall comply with local laws and safety regulations.
- The device should be wall box mounted. HDL will not be responsible for any consequence caused by the inexperienced or faulty installation and wiring methods, which are not in accordance with the instructions contained in this operating instruction.
- Please do not privately disassemble or replace any parts of the product. Otherwise, it may cause mechanical fault, electric shock, fire or personal injuries.
- Please contact our after-sales departments or our designated service agencies for your maintenance service. Product failures caused by private disassembly are not subject to this warranty.

Package Contents

Panel*1 / Datasheet*1 / Button label *2n (n is button number)

Technical Data

Basic Parameters

Working voltage	21~30V DC
Working current	15mA/30V DC
Communication	KNX
Cable diameter of KNX terminal	0.6-0.8mm

External Environment

Working temperature	-5°C~45°C
Working relative humidity	≤90%
Storage temperature	-20°C~60°C
Storage relative humidity	≤93%

Specifications

Dimensions	EU: 86×86×10.5(mm) US: 116.5×86×10.5(mm)
Net weight	EU: 109g US: 131g
Housing material	Glass, PC
Installation	Wall box (See Figure 15 -17)
Protection rating (Compliant with EN 60529)	IP20

Approved

CE, RoHS

KNX

KNX Cable Guide

KNX	KNX Cable
+	Red
-	Black

Installation

Product installation and disassembly

(Take M/P03.2 (EU) as an example)

Installation - See Figure 15 - 17

Step 1. Install the wall box in the wall.

Step 2. Fix the power interface onto the wall box with screws.

Step 3. Hold the edge of panel, and insert the panel in the slots of power interface vertically.

Disassembly - See Figure 18

Step 1. Insert the panel gap with a slotted screwdriver.

Step 2. Hold the panel, pry up the panel gently and take down the panel.

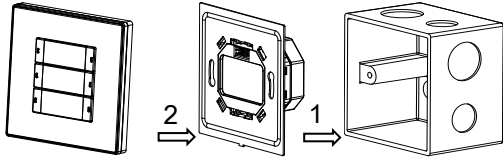


Figure 17. KNX iFlex Series Panel Figure 16. Power interface Figure 15. Wall box
Figure 15 - 17. Installation

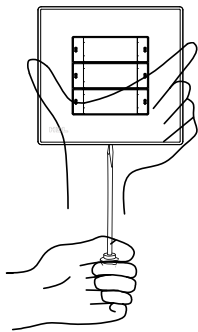


Figure 18. Disassembly

Technical support

E-mail: hdtickets@hdlautomation.com

Website: <https://www.hdlautomation.com>

©Copyright by HDL Automation Co., Ltd. All rights reserved.
Specifications subject to change without notice.