

HDL-MH48IP/D.231

Hotel Room Control Host

buspro

**Datasheet**

Issued: April 27, 2019  
Edition V1.0.0



Figure 1. Hotel Room Control Host

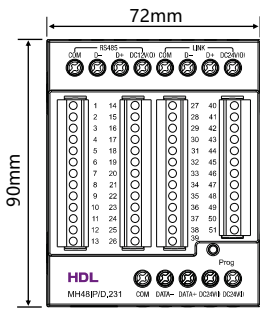


Figure 2. Dimensions - Front View

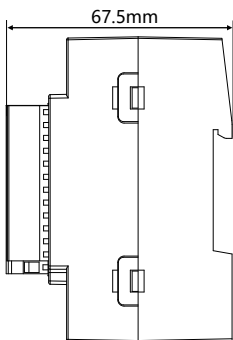


Figure 3. Dimensions - Side View

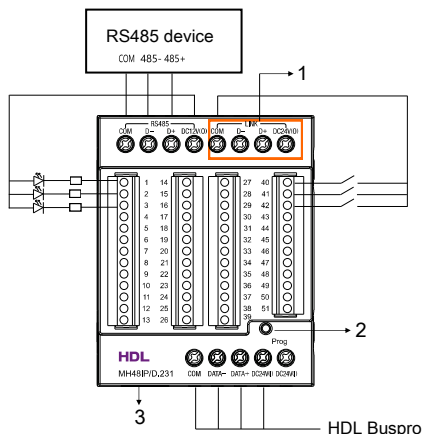


Figure 4. Wiring

## Overview

Hotel Room Control Host (See Figure 1) supports hotel room host control and dry contact function. It has 48 channels. The hotel room host can control and monitor doorbell panels, curtains, lights, fans and air conditioners via the Hotel Management Software (IHMS) after parameter setting.

## Functions

- The hotel host supports 48 channels, each dimmer channel has parameters for lower limit, the higher limit, the maximum limit.
- There are 99 scenes in total, and each scene's running time is 0-250 seconds.
- The protection delay time of each channel is 0-60 minutes.
- The delay turn on time of each channel is 0-250 seconds.
- The Host can run the preset scenes or settings according to the identification of the card owner.
- Monitors and controls air conditioners, curtains, lightings, room status, and uploads the status of air conditioners, curtains, lightings and other status to the monitor software of the server in real time.
- Receives various panel control signal, and process the control signal of channels and modules.
- Network connection. The hotel room control host has a RJ45 port, which can connect to each room, reception and IHMS. Through IHMS, the module can integrate with the third party management software to exchange information.
- Supports RS485 communication devices.
- Supports dry contact function and has 51-channel dry contacts. The channel input, channel output and control targets can be set via the IHMS.

## Important Notes

- Buspro cable - CAT5E or dedicated HDL Buspro cable.
- Buspro connection - Series connection (hand-in-hand recommended).
- RJ45 cable - CAT5E.

## Product Information

**Dimensions - See Figure 2 - 3**

**Wiring - See Figure 4**

### Input/ Output channel

The hotel host supports 51 channels. Each channel can be set as input or output channel. The user is recommended to make a plan for cable connection in advance.

Take No.1-3 channels as example, they are LED lights output channels, and a resistor should be connected to the LED. ( Resistance range 470Ω-2kΩ is recommended.)

Take No.40-42 channels as an example, they are dry contact input channels.

### 1. INNER Buspro cable connects to hotel host

### 2. Programming button & indicator

When the hotel host runs normally, the indicator flickers in green. Keep pressing the programming button for 10 seconds, the indicator turns red, then restore the factory settings.

Default setting parameters:

IP: 192.168.10.250

Router IP:192.168.10.1 Port: 6006

### 3. RJ45 port: UDP/IP port

#### HDL Buspro:

Buspro interface. This module has 2 independent 24V DC terminals, one of which can work as backup power supply. When only one of them is connected, the module can work properly.

### Installation - See Figure 5 - 7

Step 1. Fix the DIN rail with screws.

Step 2. Buckle the bottom cap of the Hotel Room Control Host on the edge of the DIN rail.

Step 3. Press the device on the DIN rail, slide it and fix it up until an appropriate position is adjusted.

## Safety Precautions



- The installation and commissioning of the device must be carried out by HDL or the organization designated by HDL. For planning and construction of electric installations, the relevant guidelines, regulations and standards of the respective country are to be considered.
- The device should be installed with DIN rail in distribution box. HDL does not take responsibility for all the consequences caused by installation and wire connection that are not in accordance with this document.
- Please do not privately disassemble the device or change components, otherwise it may cause mechanical failure, electric shock, fire or body injury.
- Please resort to our customer service department or designated agencies for maintenance service. The warranty is not applicable for the product fault caused by private disassembly.

## Package Contents

HDL-MH48IP/D.231\*1 / Label\*5 / Datasheet\*1



Figure 5

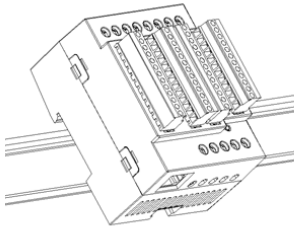


Figure 6

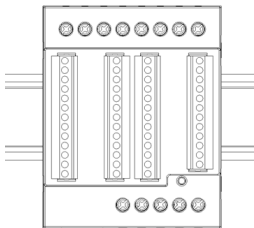


Figure 7

Figure 5 - 7. Installation

## Technical Data

### Basic Parameters

Working voltage	20~30V DC
Working current	600mA/24V DC
RJ45 interface	UDP/IP network Interface
Communication interface	HDL Buspro, Inner Buspro

### External Environment

Working temperature	-5°C~45°C
Working relative humidity	≤90%
Storage temperature	-20°C~60°C
Storage relative humidity	≤93%

### Specifications

Dimensions	72mm×90mm×67.5mm
Net weight	130g
Housing material	Nylon, PC
Installation	35mm DIN rail installation (See Figure 5 - 7)
Protection rating (Compliant with EN 60529)	IP20

### Name and Content of Hazardous Substances in Products

Components	Hazardous substances					
	Lead (Pb)	Mercury (Hg)	Cadmium (Cd)	Chromium VI (Cr (VI))	Poly-brominated biphenyls (PBB)	Poly-brominated diphenyl ethers (PBDE)
Plastic	o	o	o	o	o	o
Hardware	o	o	o	o	-	-
Screw	o	o	o	x	-	-
Solder	x	o	o	o	-	-
PCB	x	o	o	o	o	o
IC	o	o	o	o	x	x

The symbol “-” indicates that the hazardous substance is not contained.

The symbol “o” indicates that the content of the hazardous substances in all the homogeneous materials of the component is below the limit requirement specified in the Standard IEC62321-2015.

The symbol “x” indicates that the content of the hazardous substance in at least one of the homogeneous materials of the part exceeds the limit requirement specified in the Standard IEC62321-2015.

## HDL Buspro Cable Guide

HDL Buspro	HDL Buspro Cable	CAT5/CAT5E
DATA+	Yellow	Blue/Green
DATA-	White	Blue white/Green white
COM	Black	Brown white/Orange white
24V DC	Red	Brown/Orange

#### Technical support

E-mail: [support@hdlautomation.com](mailto:support@hdlautomation.com)

Website: <https://www.hdlautomation.com>

©Copyright by HDL Automation Co., Ltd. All rights reserved.  
Specifications subject to change without notice.