

**Datasheet**

Issued: April 29, 2019  
Edition V1.0.0



Figure 1. HDL Bus Enable Hotel I/O Module

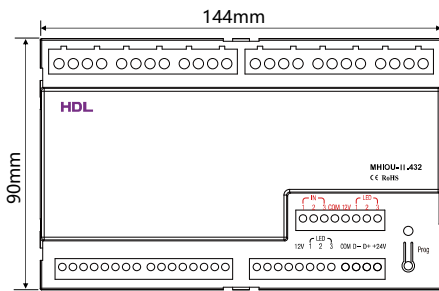


Figure 2. Dimensions - Front View

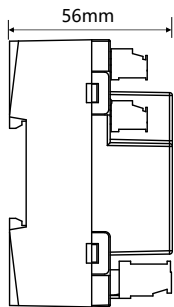


Figure 3. Dimensions - Side View

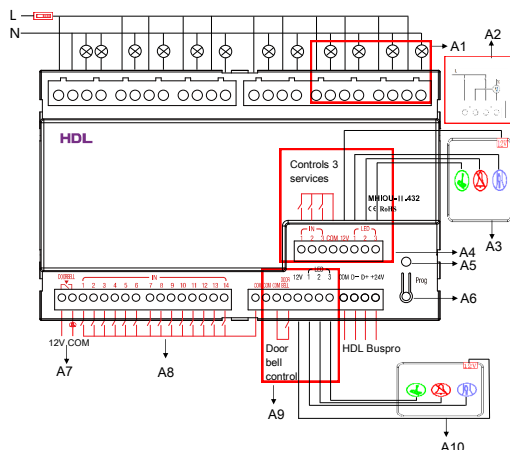


Figure 4. Wiring

## Overview

HDL Bus Enable Hotel I/O Module (See Figure 1) supports functions of MOSFET dimming, relay, curtain control, dry contact, doorbell control and LED output. The three service status indicators of the indoor doorbell can be controlled by the universal switch of the panel. The output channel parameters are set by HDL Buspro Setup Tool, and curtains, lamps, exhaust fans, etc. can be set as controlled targets. After setting, the targets can be controlled via the panel.

## Functions

### OUTPUTS

- Supports security setting, area setting and scene setting.
- Channel 1 and 2 are trailing edge dimming outputs, with up to totally 1.6A current output.
- Channel 3 to 12 are relay outputs, each channel is 5A.
- Channel 9 and 10, 11 and 12 can be used for curtain control.

### INPUTS

- 14-channel dry contact input.
- 3-channel indoor doorbell control and 3-channel indicator output.
- 1-channel outdoor door bell control and 3-channel indicator output.
- 1-channel door bell relay control.

## Important Notes

- Buspro cable - CAT5E or dedicated HDL Buspro cable.
- Buspro connection - Hand-in-hand recommended.
- Load types - Incandescent lamps, halogen lamps, low-voltage halogen lamps etc. Inductive loads are not allowed.
- The dimming temperature should not exceed 45°C.

## Product Information

**Dimensions - See Figure 2 - 3**

**Wiring - See Figure 4**

Note:

The doorbells are installed indoors and outdoors, and three service types are supported: Please Wait, Do Not Disturb, and Need Cleaning. The panels indoor and outdoor display the same service types.

**Indoor doorbell control:** Controls 3 service types through normal switch or universal switch of HDL intelligent panel.

When control through normal switch: Use switch No.1,2,3 to control the Wait, DND, Clean LED indicators.

When control through universal switch: Use UV switch No.13,14,15 to control the Wait, DND, Clean LED indicators.

**Outdoor doorbell control:** Supports only doorbell buttons. Doorbell relay is connected when controlling the doorbell buttons.

When DND status is activated, doorbell control is disabled.

A1: Channel 9 and 10, 11 and 12 are relay channels by default. They can be used for curtain control after setting via HDL Buspro Setup Tool.

A2: Curtain control

A3: Service status indicators of doorbell ( indoor )

A4: Indoor doorbell control

A5: Module indicator: When the module works properly, the indicator flickers in green.

A6: Programming button: Keep pressing the button for 3 seconds and the red indicator turns on, then the address of the module can be read and modified via HDL Buspro Setup Tool.

A7: Door bell relay

A8: 14-channel dry contact

A9: Outdoor door bell control

A10 : Service status indicators of doorbell ( outdoor )

**Installation - See Figure 5 - 7**

Step 1. Fix the DIN rail with screws.

Step 2. Buckle the bottom cap of the Hotel I/O Module on the edge of the DIN rail.

Step 3. Press the device on the DIN rail, slide it and fix it up until an appropriate position is adjusted.

## Safety Precautions



- The installation and commissioning of the device must be carried out by HDL or the organization designated by HDL. For planning and construction of electric installations, the relevant guidelines, regulations and standards of the respective country are to be considered.
- The device should be installed with DIN rail in DB box. HDL does not take responsibility for all the consequences caused by installation and wire connection that are not in accordance with this document.
- Please do not privately disassemble the device or change components, otherwise it may cause mechanical failure, electric shock, fire or body injury.
- Please resort to our customer service department or designated agencies for maintenance service. The warranty is not applicable for the product fault caused by private disassembly.

## Package Contents

HDL-MHI0U-II.432\*1 / Datasheet\*1



Figure 5

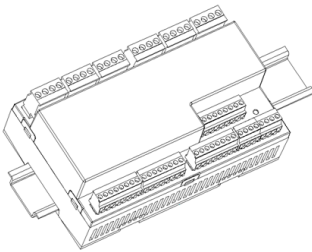


Figure 6

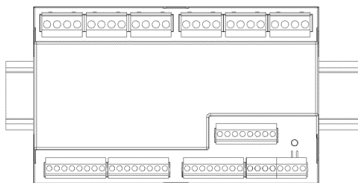


Figure 7

Figure 5 - 7. Installation

## Technical Data

### Basic Parameters

Working voltage	15~30V DC
Working current	185mA/24V DC
Input voltage	AC100-240V ( 50/60Hz )
Communication	HDL Buspro

### External Environment

Working temperature	-5°C~45°C
Working relative humidity	≤90%
Storage temperature	-20°C~60°C
Storage relative humidity	≤93%

### Specifications

Dimensions	144mm×90mm×56mm
Net weight	375g
Housing material	Nylon
Installation	35mm DIN rail installation (See Figure 5 - 7)
Protection rating (Compliant with EN 60529)	IP20

### Name and Content of Hazardous Substances in Products

Components	Hazardous substances					
	Lead (Pb)	Mercury (Hg)	Cadmium (Cd)	Chromium VI (Cr (VI))	Poly-brominated biphenyls (PBB)	Poly-brominated diphenyl ethers ( PBDE )
Plastic	o	o	o	o	o	o
Hardware	o	o	o	o	-	-
Screw	o	o	o	×	-	-
Solder	×	o	o	o	-	-
PCB	×	o	o	o	o	o
IC	o	o	o	o	×	×

The symbol "-" indicates that the hazardous substance is not contained.

The symbol "o" indicates that the content of the hazardous substances in all the homogeneous materials of the component is below the limit requirement specified in the Standard IEC62321-2015.

The symbol "x" indicates that the content of the hazardous substance in at least one of the homogeneous materials of the part exceeds the limit requirement specified in the Standard IEC62321-2015.

## HDL Buspro Cable Guide

HDL Buspro	HDL Buspro Cable	CAT5/CAT5E
DATA+	Yellow	Blue/Green
DATA-	White	Blue white/Green white
COM	Black	Brown white/Orange white
24V DC	Red	Brown/Orange

Technical support  
E-mail: support@hdlautomation.com  
Website: <https://www.hdlautomation.com>

©Copyright by HDL Automation Co., Ltd. All rights reserved.  
Specifications subject to change without notice.